



Installation Instructions

KB-M2-W35- __ , KB-R2-W35- __ , and KB-R3-W35- __ Series Fixed Wall Mount Keyboard

1. Cut or drill mounting pattern in panel. Refer to Figure 1 for the cutout dimensions.

NOTE: +/- 0.8 mm (0.03") tolerance on all dimensions unless otherwise noted.

The provided hardware is for use with panels that have a maximum thickness of 14 mm (9/16") if using clearance holes. Thicker panels can be used but require longer screws than those provided.

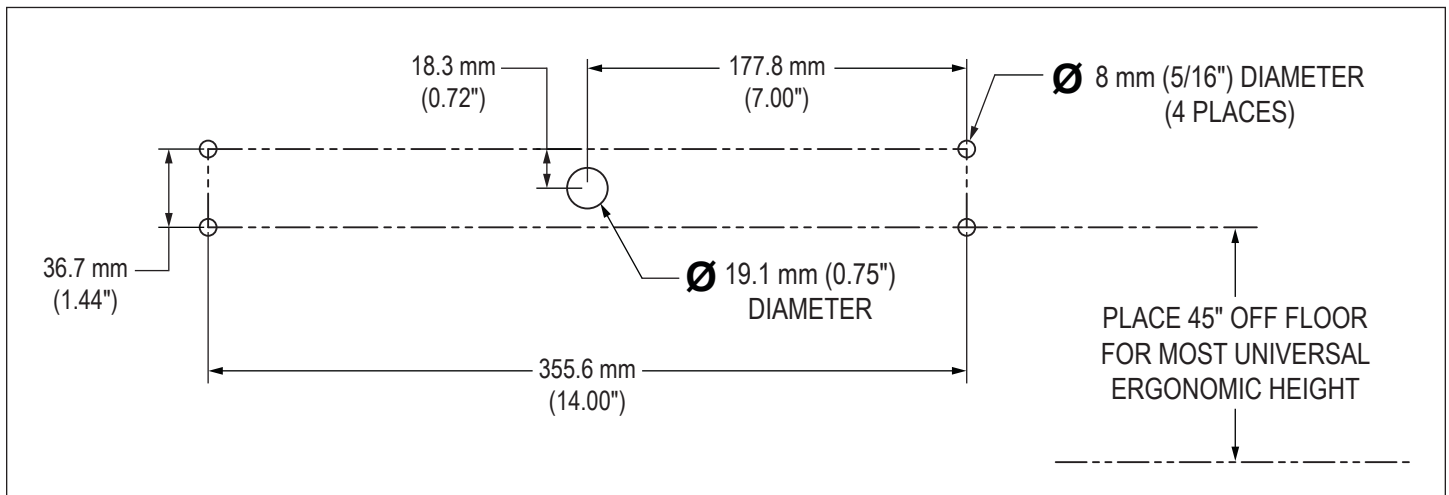


FIGURE 1 – WALL MOUNT CUTOUT PATTERN

2. Install the collar from the rear using the four provided M6 screws and washers as shown. Tighten all screws until the gasket is compressed to 1/16" to 3/32" thick.

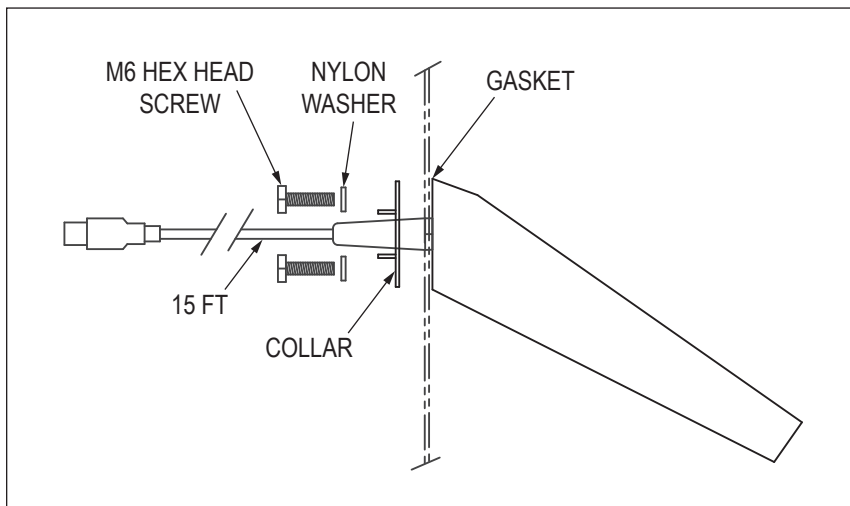


FIGURE 2 – SIDE VIEW OF KEYBOARD