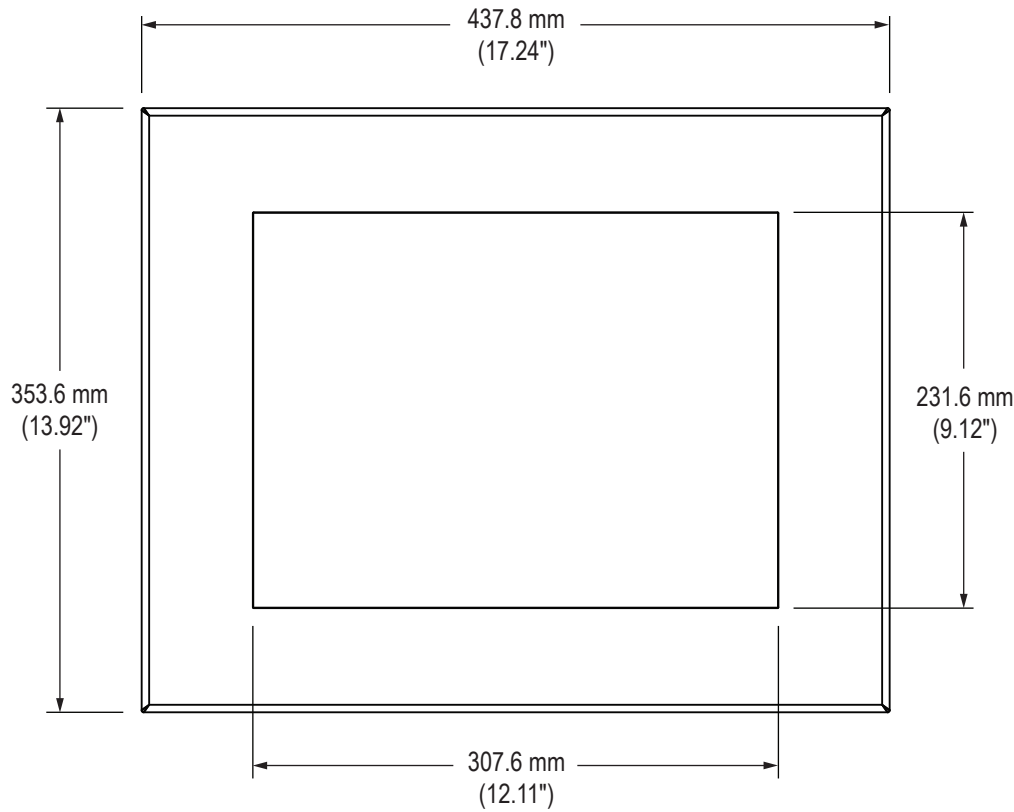
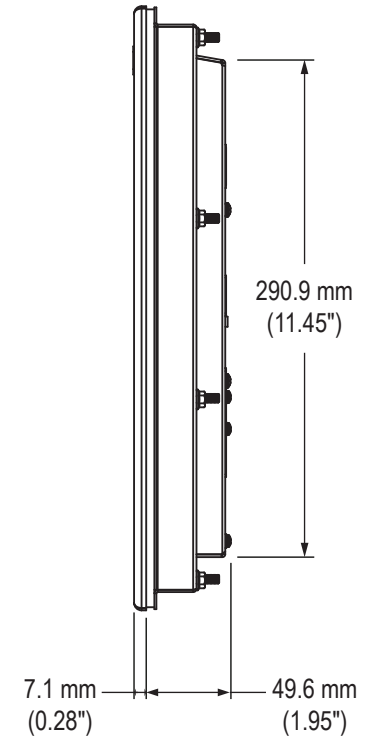


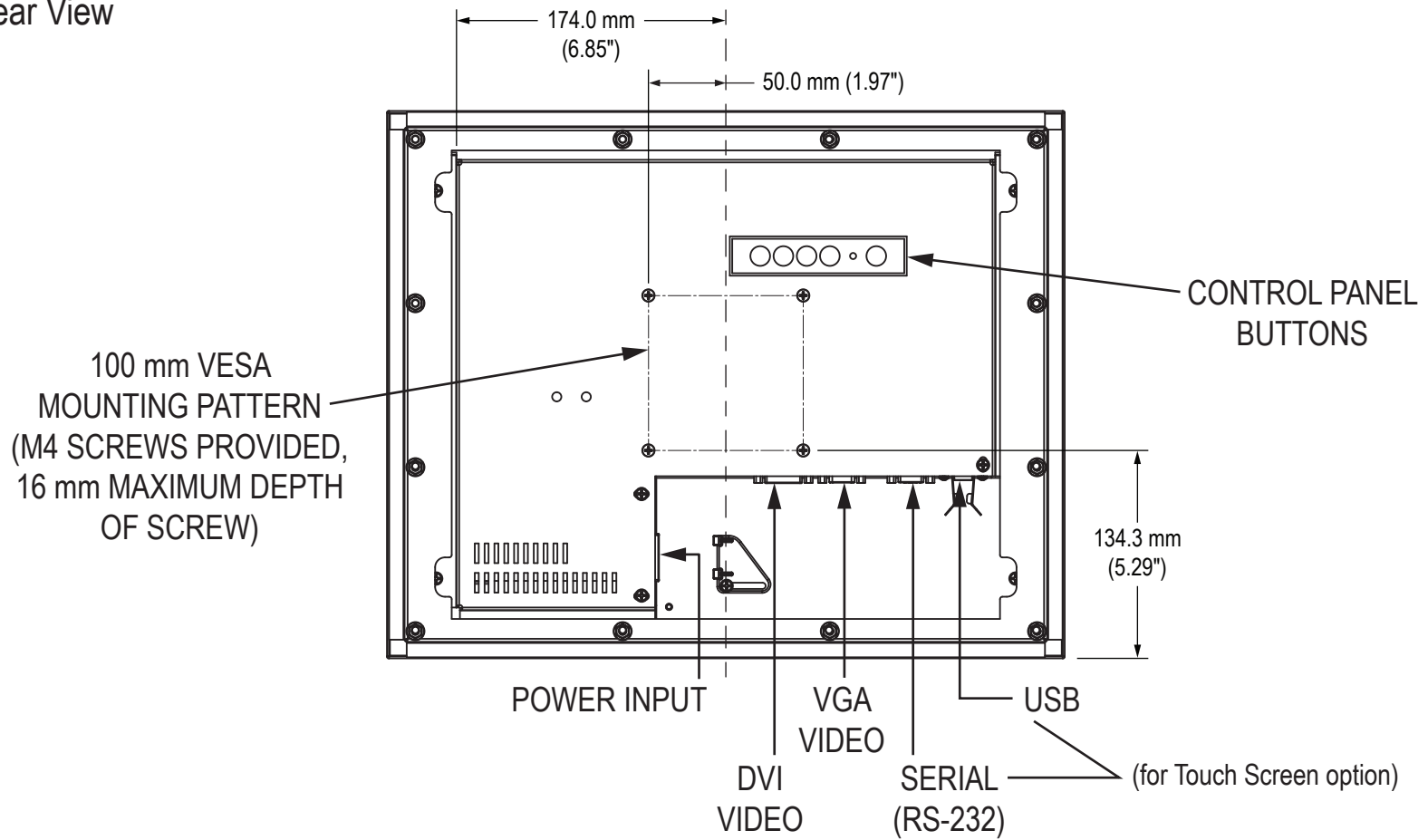
Front View



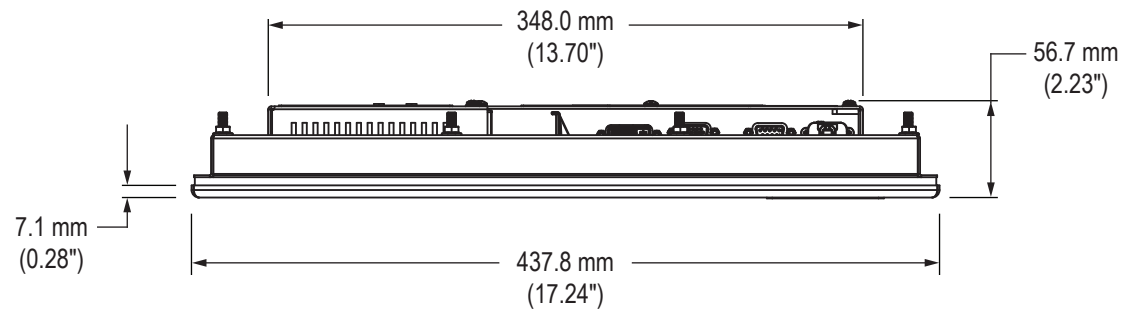
Side View



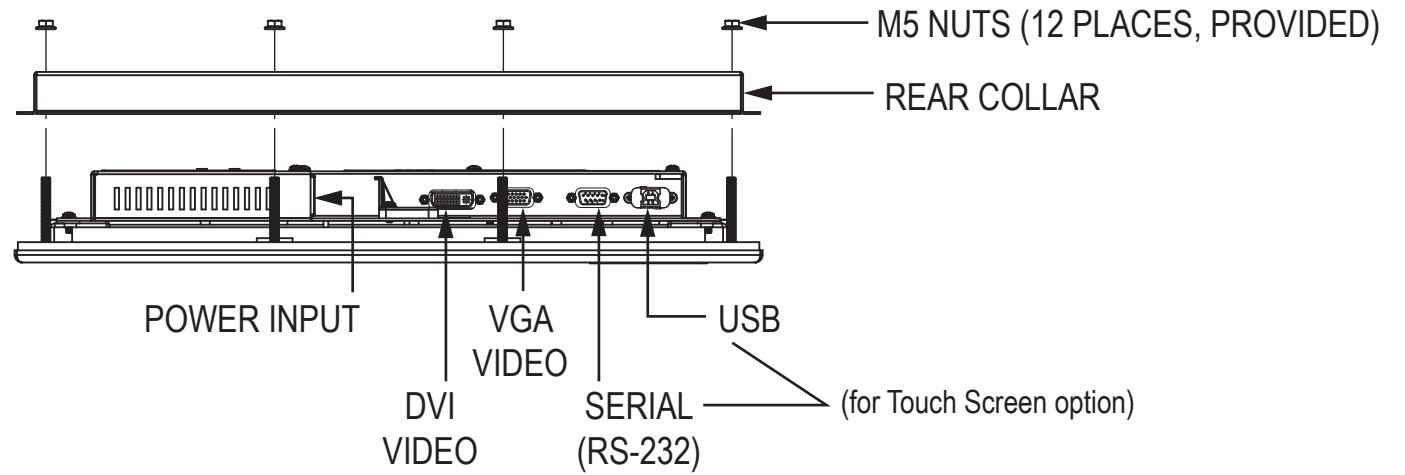
### Rear View



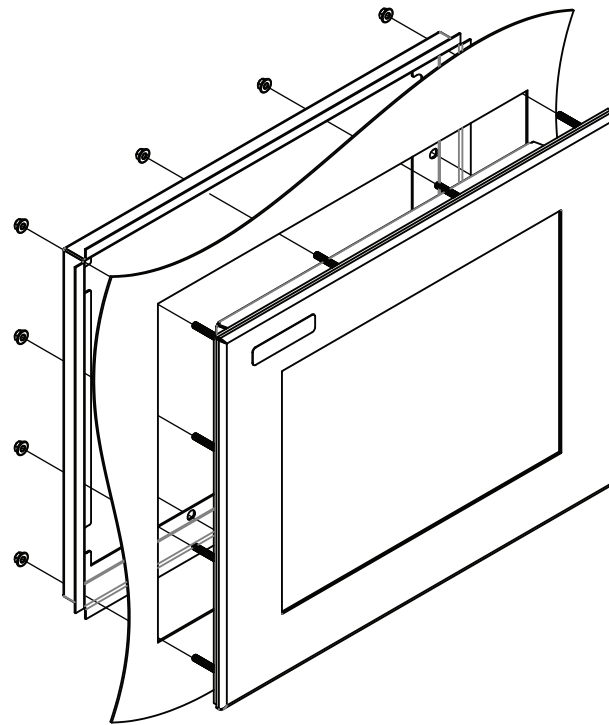
### Bottom View



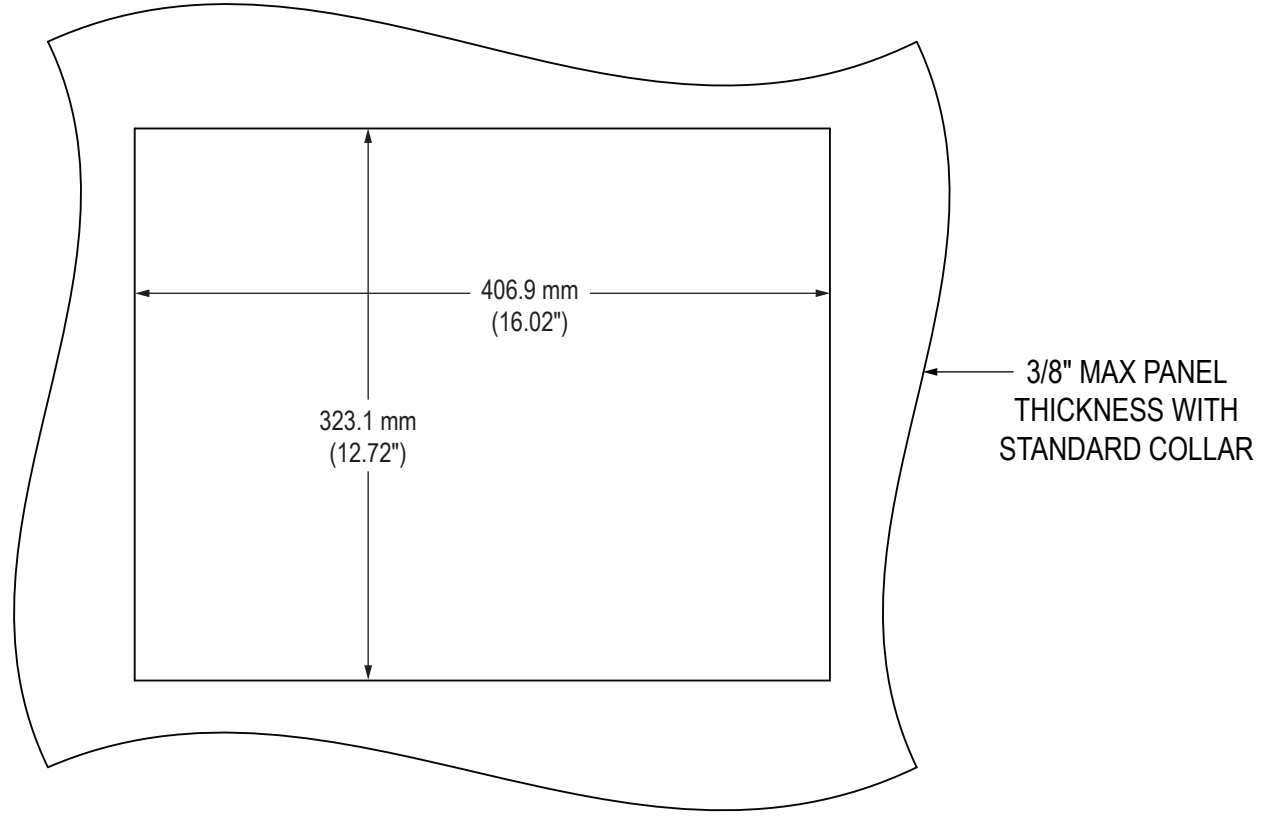
Bottom View (showing Cable Connections)



Mounting Diagram

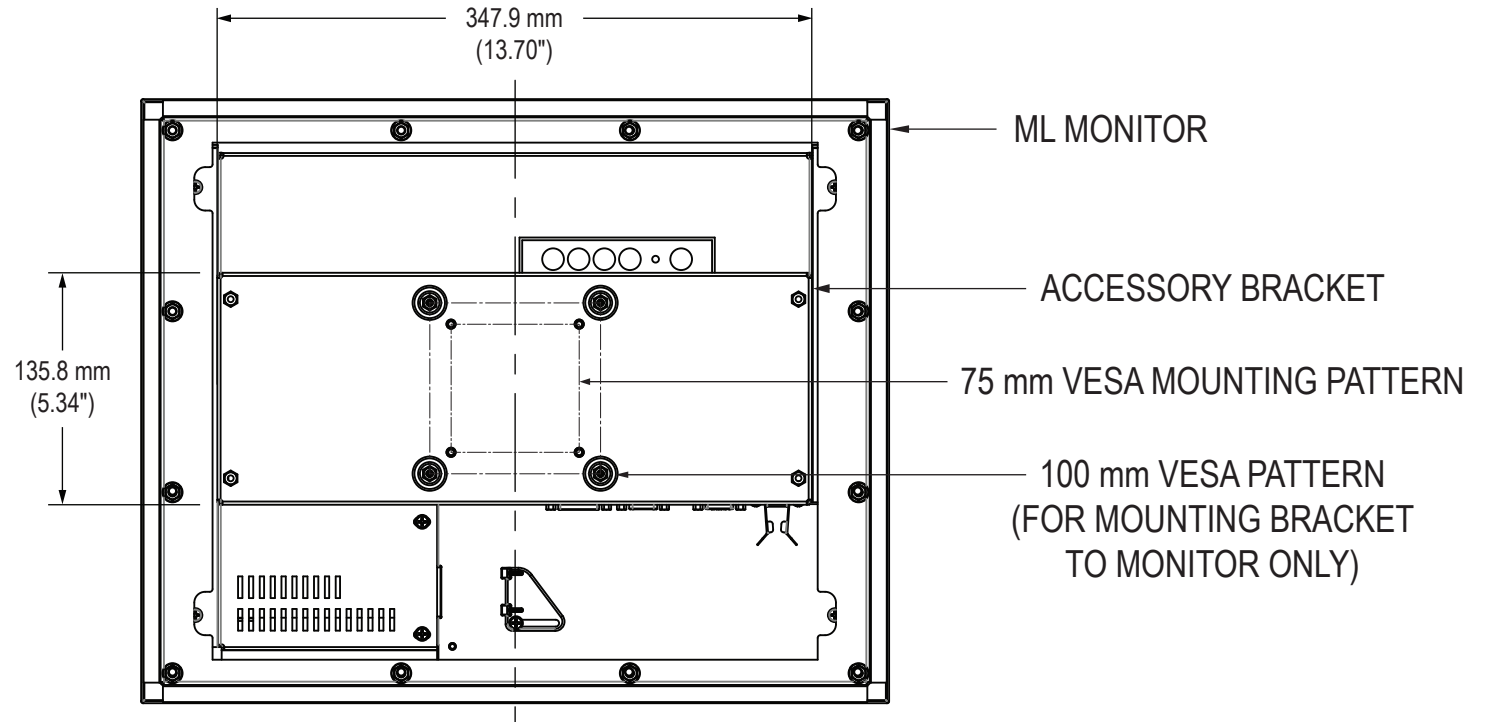


# Cutout Dimensions



# VB-1517-01 Accessory Mounting Bracket

Rear View



Bottom View

